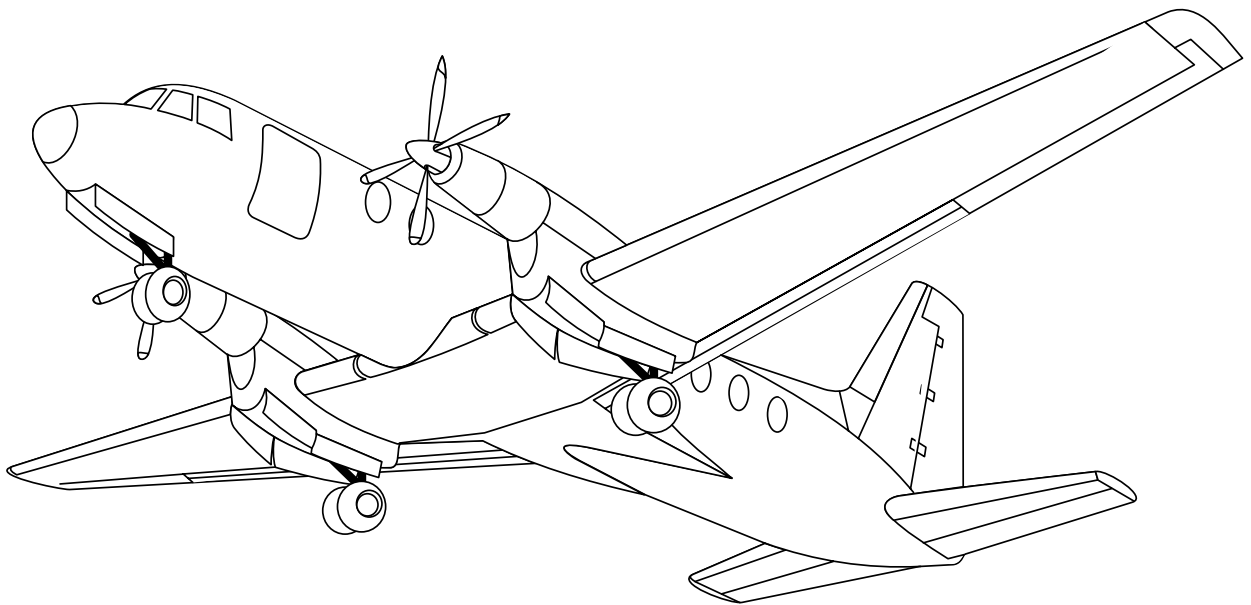
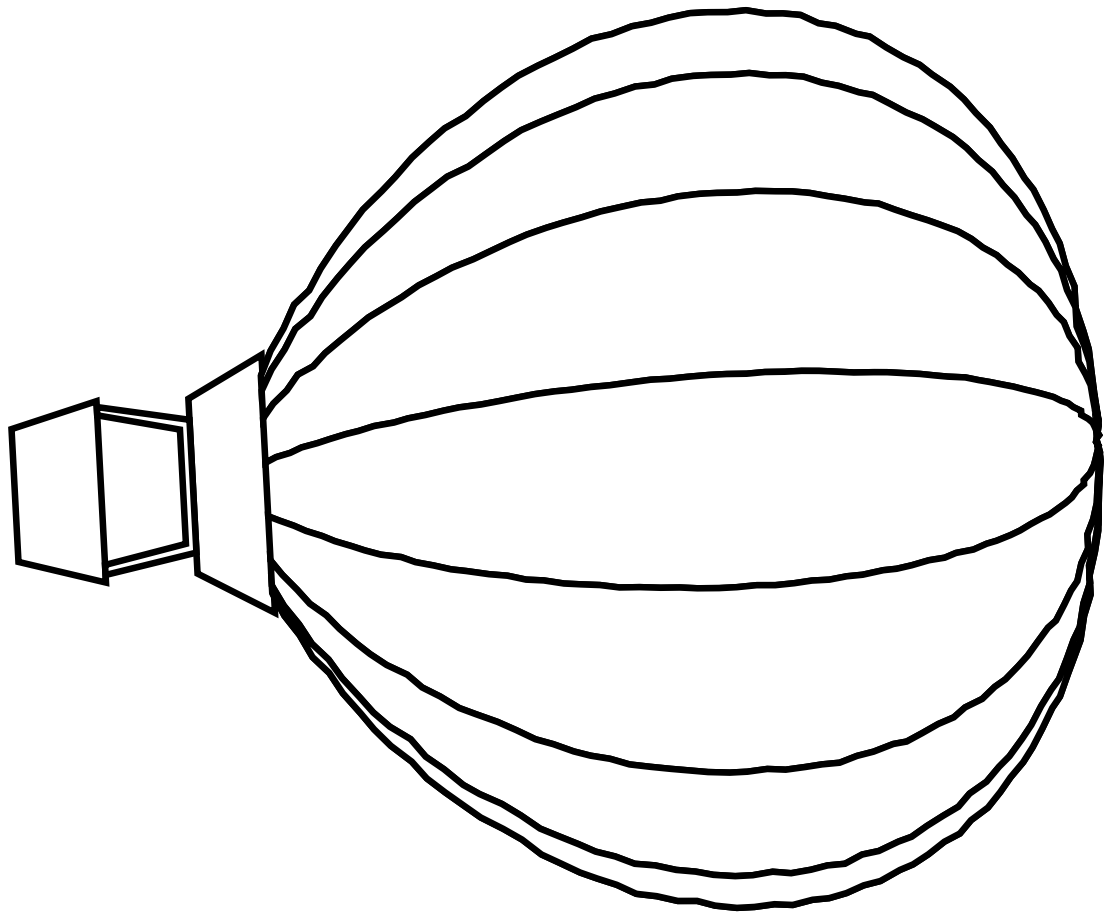


Beaver Section - Transport Term

Designed by Stuart Leacy.

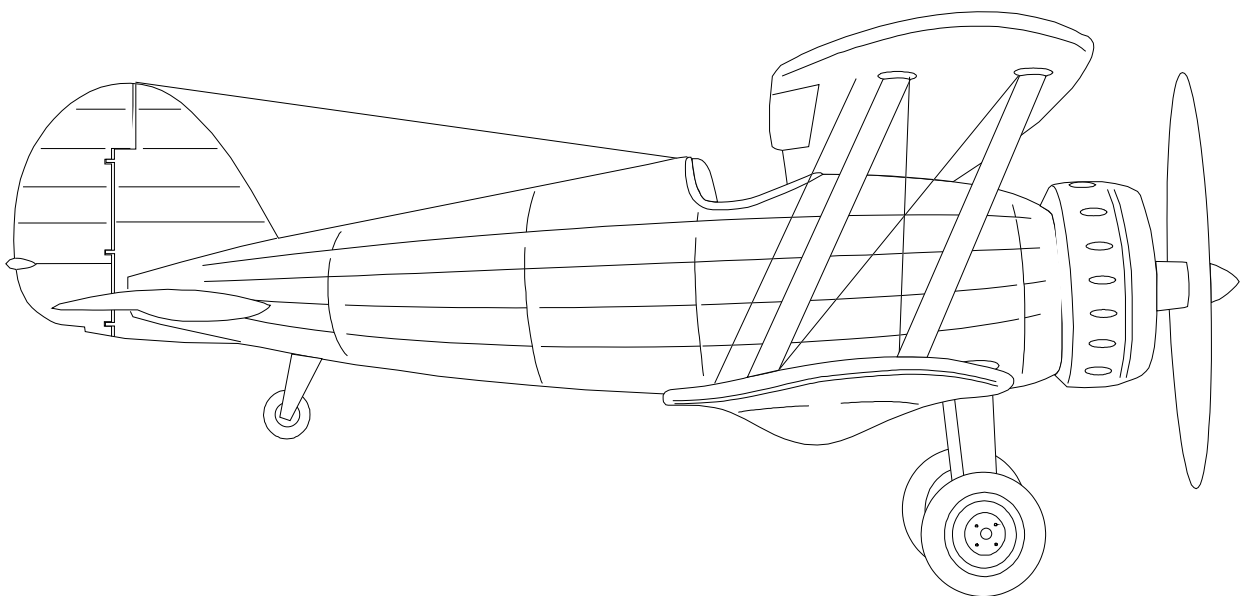
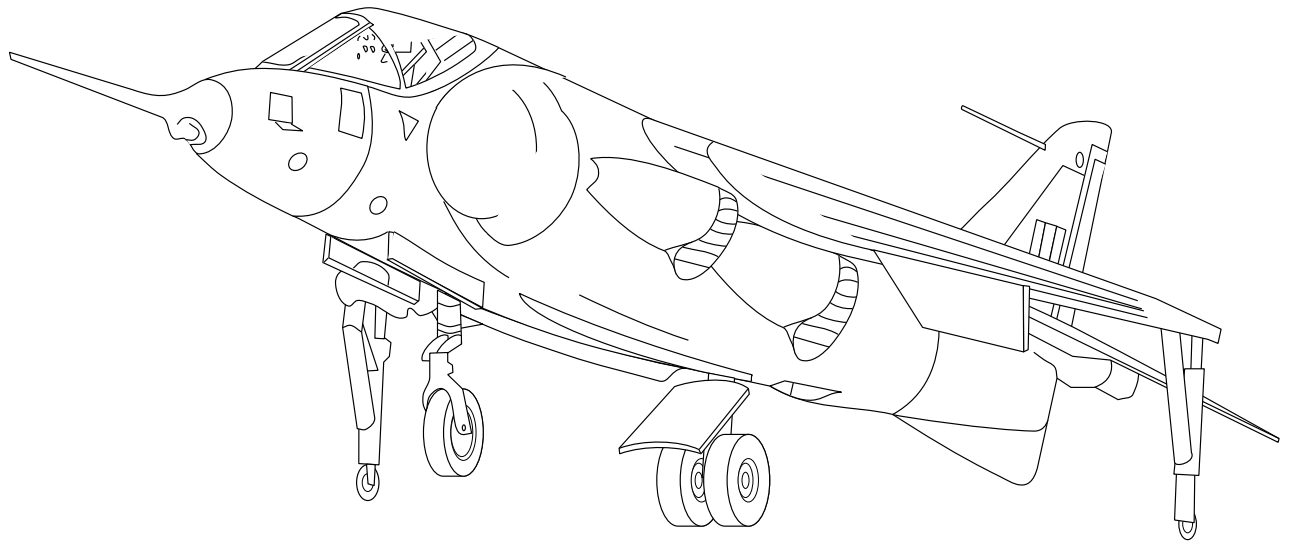
[www.colonyresources.org.uk](http://www.colonyresources.org.uk) • [www.packresources.org.uk](http://www.packresources.org.uk) • [www.troopresources.org.uk](http://www.troopresources.org.uk)



Beaver Section - Transport Term

Designed by Stuart Leacy.

[www.colonyresources.org.uk](http://www.colonyresources.org.uk) • [www.packresources.org.uk](http://www.packresources.org.uk) • [www.troopresources.org.uk](http://www.troopresources.org.uk)



Beaver Section - Transport Term

Designed by Stuart Leacy.

[www.colonyresources.org.uk](http://www.colonyresources.org.uk) • [www.packresources.org.uk](http://www.packresources.org.uk) • [www.troopresources.org.uk](http://www.troopresources.org.uk)